



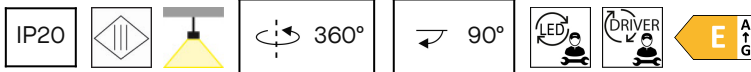
Kiva Ø95

LedsC4 Team

Low voltage Kiva ø95 12 LED warm-white 2700K CRI 90 ON-OFF Black 1172lm

Technical features

- Luminaire total power: 12W
- Real lumens: 1172
- Real lm/W: 98
- Correlated Colour Temperature (CCT): LED warm-white 2700K
- Lens / reflector angle: MEDIUM 23°
- UGR: <=19
- Structure material: Aluminium
- Structure finish: Black
- Diffuser material: Polycarbonate
- Diffuser finish: Transparent
- Equipment necessary but not included
- Voltage / frequency: 48 VDC
- Dimming protocol: ON-OFF
- Useful life: 50,000h L80B20
- Warranty: 5 years



Luminotechnic features

- CRI: 90
- MacAdam steps: 2
- Photobiological risk: RG1

UGR		Lampholder	Quantity	Light source power (W)	Correlated Colour Temperature (CCT)
S=0.250					
Ceiling / cavity	0.7	LED	1	12W	LED warm-white 2700K
Walls	0.5				
Working Plane	0.2				
Room dimensions	X=4H, Y=8H				
UGR crosswise	18.6				
UGR lengthwise	18.6				

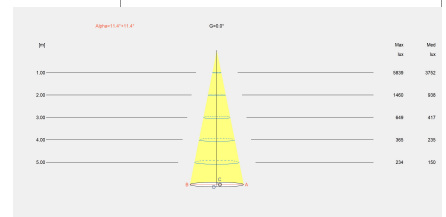
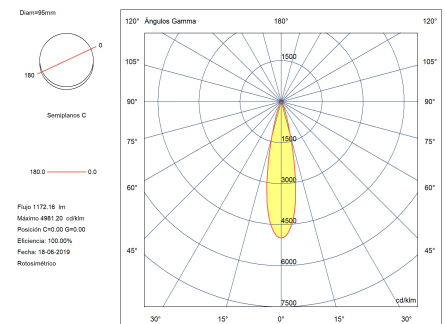
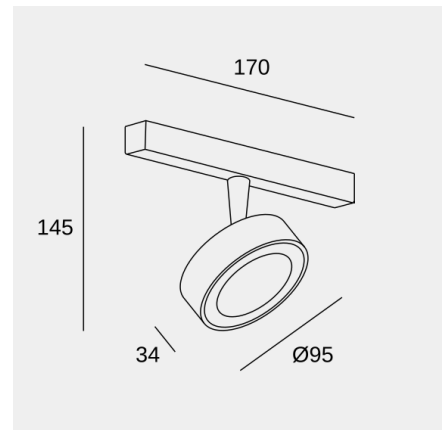


Image may not match reference. LedsC4 reserves the right to amend any of the product's components. The data related to flux, power and colour temperature may be subject to changes made by the manufacturer.

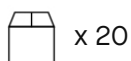


Kiva ø95

LedsC4 Team

Low voltage Kiva ø95 12 LED warm-white 2700K CRI 90 ON-OFF Black 1172lm

Logistics



x 20

Net weight (kg): 0.28

Packaged weight (kg): 0.41

Packaging: 175mm x 110mm x 100mm

Light application



Image may not match reference. LedsC4 reserves the right to amend any of the product's components. The data related to flux, power and colour temperature may be subject to changes made by the manufacturer.